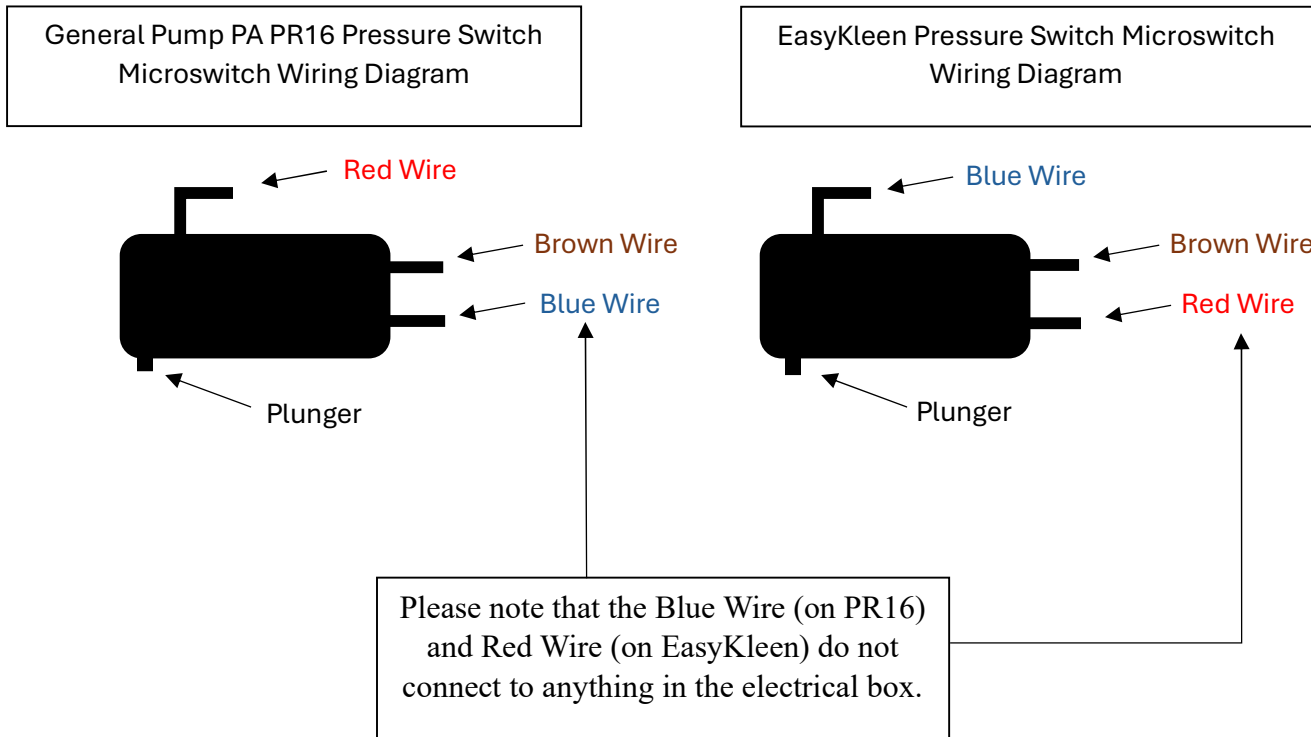


Pressure Switch Microswitch Wiring Diagram



The microswitch is located inside the housing of the pressure switch. The General Pump PA PR16's microswitch is connected differently than the original one from EasyKleen. They wire to the same place in the electrical box, it's just that the wiring colors attached to the microswitch are connected in different areas. See the above diagram for each switch.

Please note that you can also keep the existing wiring in place and remove the housing and microswitch and keep the same wiring that runs to the electrical box. It is very unlikely that the wiring is damaged.